

PFA136

Water-proof Junction Box



Features

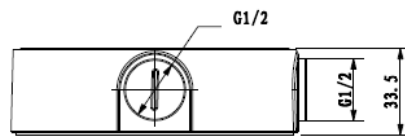
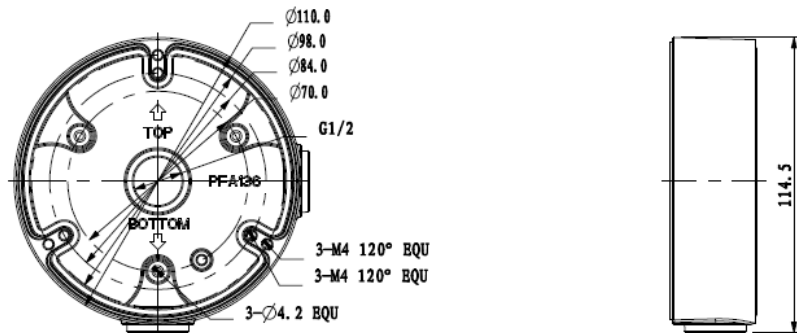
- Material: Aluminum
- Junction Box
- Neat & Integrated design

Specifications

| Model | PFA136 |
|-----------------------|----------------------------------|
| General | |
| Material | Aluminum |
| Dimension | φ110x33.5mm |
| Inch Thread | M20(G1/2") |
| Operating Temperature | -40°C ~60°C |
| Humidity | 0~90% RH |
| Load Bearing | 1.0Kg |
| Weight | 0.18Kg |
| Color | White |
| Applicable Model | Please see "Accessory Selection" |

PFA136

Dimensions (mm)



Application

